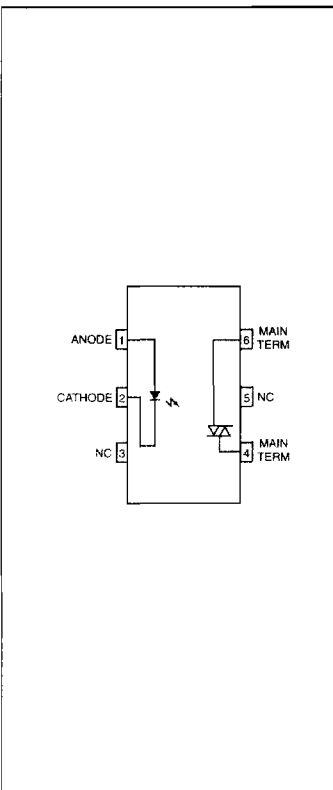


Schmitt Trigger Output: AlGaAs Input

Part Number	I_{FT} (OFF)	I_{FT} (ON)	V_{CC} (V) max	t_{ON}/t_{OFF} (μ s)	V_{OL} (V) max	I_{CCL} (mA) max	V_{ISO} AC[RMS]	Pkg dwg	Agency Approvals (see below)
	(mA) min	(mA) max							
H11N1	0.3	3.2	16	0.33/0.33	0.5	10	5.3 kV	E	A, B, D, F, N, S, U
H11N1.300	0.3	3.2	16	0.33/0.33	0.5	10	5.3 kV	E	A, B, D, F, N, S, U, V
H11N2	0.3	5	16	0.33/0.33	0.5	10	5.3 kV	E	A, B, D, F, N, S, U
H11N2.300	0.3	5	16	0.33/0.33	0.5	10	5.3 kV	E	A, B, D, F, N, S, U, V
H11N3	0.3	10	16	0.33/0.33	0.5	10	5.3 kV	E	A, B, D, F, N, S, U
H11N3.300	0.3	10	16	0.33/0.33	0.5	10	5.3 kV	E	A, B, D, F, N, S, U, V



Non-Zero-Crossing Triac Output: GaAs Input

Part Number	I_{FT} (mA) max	V_{TM} (V) max	V_{DM} (V) min	I_H (mA)	I_{DRM} (nA) max	V_{ISO} AC [RMS]	Pkg dwg	Agency Approvals (see below)
MOC3009	30	3	250	100	100	5.3 kV	E	A, B, D, F, N, S, U
MOC3009.300	30	3	250	100	100	5.3 kV	E	A, B, D, F, N, S, U, V
MOC3010	15	3	250	100	100	5.3 kV	E	A, B, D, F, N, S, U
MOC3010.300	15	3	250	100	100	5.3 kV	E	A, B, D, F, N, S, U, V
MOC3011	10	3	250	100	100	5.3 kV	E	A, B, D, F, N, S, U
MOC3011.300	10	3	250	100	100	5.3 kV	E	A, B, D, F, N, S, U, V
MOC3012	5	3	250	100	100	5.3 kV	E	A, B, D, F, N, S, U
MOC3012.300	5	3	250	100	100	5.3 kV	E	A, B, D, F, N, S, U, V
MOC3020	30	3	400	100	100	5.3 kV	E	A, B, D, F, N, S, U
MOC3020.300	30	3	400	100	100	5.3 kV	E	A, B, D, F, N, S, U, V
MOC3021	15	3	400	100	100	5.3 kV	E	A, B, D, F, N, S, U
MOC3021.300	15	3	400	100	100	5.3 kV	E	A, B, D, F, N, S, U, V
MOC3022	10	3	400	100	100	5.3 kV	E	A, B, D, F, N, S, U
MOC3022.300	10	3	400	100	100	5.3 kV	E	A, B, D, F, N, S, U, V
MOC3023	5	3	400	100	100	5.3 kV	E	A, B, D, F, N, S, U
MOC3023.300	5	3	400	100	100	5.3 kV	E	A, B, D, F, N, S, U, V

Agency Approvals

A	CSA	Canadian Standards Association
B	BSI	British Standards Institute
C	CNET	French Telecom Agency
D	Demko	Danish Safety Agency
E	CECC	Cenelec Committee
F	Fimko	Finnish Safety Agency
N	Nemko	Norwegian Safety Agency
S	Semko	Swedish Safety Agency
U	UL	Underwriters Laboratory
V	VDE 0884	Option 300

Notes
 A complete list of agencies appears in the table to the left. Optocoupler Package outlines appear on pages 24, 25, and 26.